



April 18, 2017

ADDENDUM NO. 2

PROJECT: Wet Area Renovation at Prairie Stone Sports & Wellness Center
Hoffman Estates Park District
DLA Project No. 2017.08

TO: All Plan Holders

Bidders shall acknowledge receipt of this addendum in the space provided on the Proposal. FAILURE TO DO SO MAY SUBJECT THE BIDDER TO DISQUALIFICATION.

This addendum shall be included in and become part of the Contract Documents. The above named Project Specifications and Drawings previously issued are hereby modified as follows:

Architects Addendum no. 2: 3 pages
Revised Form of Proposal Form: 10 pages
Revised Drawing Sheets: 4 pages
Sheet G0.1
Sheet A7.1
Sheet A8.1
Sheet A9.1

Form of Proposal:

1. Replace the Proposal with the new Form of Proposal attached to this addendum.

Architectural Specifications:

1. Section 092216 Non-Structural Metal Framing, Paragraph 2,2 A, Page 84 of 156:
 - a. Revise the protective coating in subparagraph "2" to read, "G60" in lieu of "G40".

Drawings:

1. Sheet G0.1:
 - a. Refer to the attached re-issued sheet for added "Building Codes and Data" information.
2. Sheet A1.1:
 - a. First Floor Plan: Add Interior Elevation Tag "8/A7.1, Typ" at the side wall of the shower stalls.
3. Sheet A7.1:
 - a. Wall Type C: Refer to attached re-issued sheet for modifications to this detail.
 - b. Detail 2: Revise the width of the two under-counter base cabinets to be 1'-7" wide, typical.
 - c. Detail 4: Revise the Section Tag through the bench to read, "6/A7.1".
 - d. Detail 6: Refer to attached re-issued sheet for modifications to this detail.
 - e. Detail 7: Refer to attached re-issued sheet for modifications to this detail.
 - f. Detail 8: Refer to the attached re-issued sheet for new Interior Elevation of the side wall of the shower.
 - g. Detail 9: Refer to the attached re-issued sheet for new detail cut at the side wall of the shower stalls.
4. Sheet A8.1:
 - a. First Floor Reflected Ceiling Plan: Refer to the attached re-issued sheet for clarification of the ceiling material in the Steam Rooms.
 - b. Reflected Ceiling Plan Legend: Refer to the attached re-issued sheet for added material to the legend.
5. Sheet A9.1:
 - a. First Floor Finish Plan: Refer to attached re-issued sheet for added clarification about the existing floor material to remain.
 - b. Detail 4: Refer to attached re-issued sheet for modifications to this detail.
 - c. Detail 5: Refer to attached re-issued sheet for modifications to this detail.

6. Sheet PD1.1:

- a. Drawing Note "5": Delete the words "Existing under mount lavatory will be reused."

7. Sheet P1.1:

- a. Drawing Note "5": Delete the words "Reinstall existing under mount lavatory: and replace with "Refer to Architectural Drawings for new under mount lavatory."

END OF ADDENDUM NO. 2

HOFFMAN ESTATES PARK DISTRICT
Hoffman Estates, Illinois

FORM OF PROPOSAL

Proposal of _____, hereinafter called the
"BIDDER", (a) / (an) _____,
(Corporation, Partnership,
individual) doing business as _____, to Hoffman Estates
Park District, hereinafter called the "OWNER."

* * *

The Bidder, in response to your advertisement for bids for **PSSWC Wet Area Renovation** 5050 Sedge Blvd Hoffman Estates, IL 60169, having examined the Specifications and other Documents and being familiar with all of the conditions surrounding the proposed work (purchase/sale) including availability of materials and labor, hereby proposes to furnish all labor, materials and supplies and to construct the project in accordance with the Contract Documents, within the time set forth therein and at the prices stated below. These prices are to cover all expenses incurred in performing the work required under the Contract Documents of which this proposal is a part.

Bidder acknowledges receipt of the following Addenda, which are a part of the Contract

Document: Numbers: _____, _____, _____, _____.

Bidder understands that he is responsible for all damage to areas outside the defined work area caused by his work and that he is responsible for the safety of the patrons and staff at this facility which is open 7 days a week; 5am -11:00pm. The bidder understands that patron and staff will be functioning in close proximity to the proposed work and that it is his is responsible for all environmental controls to maintain a safe environment according to the direction of the owners environmental engineer (Midwest Environmental Services Inc.) The bidder understands that patron access to the club lockers and adjacent dressing areas must be safely maintained at all-times except for the periods defined in the bidder's schedule of events as 1.construction barrier installation, 2.ceiling tile removal & installation and 3.barrier removal except for the period when barrier walls are constructed or demolished and additionally, during the period at which the ceiling tiles are being replaced above the wooden lockers outside of the barrier wall.

The bidder in preparing his bid assumes the following:

1. The owner will have secured a building permit from the village of Hoffman Estates by June 1, 2017.
2. That a contract between the owner and bidder is executed prior to May 6, 2017.
3. That work on the project will commence on July 10, 2017 and continue until completion scheduled for September 29, 2017.

Base Bid

Bidder agrees to supply all shop drawings, materials, equipment labor and profit to complete the PSSWC Club Locker room wet areas renovation project within the **twelve (12) week** (or less) time frame according to plans and specifications provided as part of the bid package.

For the total bid price of \$ _____

In writing _____

As part of this Bid Proposal, the bidder shall provide a detailed schedule of events including all subcontractors work and probable impact dates to customers and/or staff. The schedule shall be attached to this form and submitted at time of bid opening. This proposed event schedule shall be used to determine the bidder's understanding of the plans to complete the project within the 12 week time frame.

ALTERNATE #1: Floor

Add cost of removing all existing partitions, relocate these items to storage, removal of floor tile in the Men's and Women's Toilet Areas, prep all existing floor surfaces, supply and install new tile and grout. Reinstall from storage all partitions according to plans and specifications.

For the total bid price of \$ _____

ALTERNATE #2: Walls

Add cost of removing all plumbing fixtures and toilet accessories, relocate these items to storage, removal of existing wall tile in the Men's and Women's Toilet Areas, prep all existing wall surfaces, supply and install new tile and grout according to plans and specifications. Reinstall from storage all plumbing fixture and toilet accessories. Alternate 2 assumes that Alternate 1 will be accepted by the owner and the partitions have been removed and will be reinstalled as part of Alternate 1 pricing.

For the total bid price of \$ _____

VOLUNTARY ALTERNATES

The contractor is encouraged to provide Voluntary Alternates. All Voluntary Alternates **must** be a modification to the Base Bid and shall **not** be included in the Base Bid.

Description of Alternate Proposed (state any change in time required):

Add/Deduct \$ _____

Add/Deduct \$ _____

Add/Deduct \$ _____

Labor Hourly rates

The following hourly rates include overhead and profit and will be utilized should extras be authorized by the owner on a time and materials basis.

- Hourly wage for Job site superintendent \$ _____
- Hourly wage overtime for Job site superintendent \$ _____
- Hourly wage for Sundays / Holiday’s Job site superintendent \$ _____
- Hourly wage for laborer \$ _____
- Hourly wage overtime for laborer \$ _____
- Hourly wage for Sundays / Holiday’s laborer \$ _____
- Hourly wage for Skilled Labor \$ _____
- Hourly wage overtime for Skilled Labor crew leader / supervisor \$ _____
- Hourly wage Holiday /Sunday for Skilled Labor crew leader / supervisor \$ _____

Unit Pricing

1. Cost to remove, supply and install new floor drains including adjustment hub. \$ _____/each
2. Cost to mitigate for additional mold on surfaces not identified on the plans “to be removed or replaced”. The quantity of additional mold mitigation will be determined by the Environmental Engineer after the existing walls have been removed and multiplied to determine this total cost.
Cost for additional mold mitigation \$ _____/ sq. ft.

BID SECURITY

Accompanying the proposal is a Bid Bond, or Cashier’s Check, as surety, in the amount of not less than 5% of the total bid payable to the Owner, which it is agreed will be forfeited if the undersigned fails to execute the Contract in conformity with the requirements set forth in the Project Manual and furnish Performance and Labor Material Payment Bonds as specified within ten (10) days after notification of the award of the Contract to the undersigned.

PERFORMANCE / PAYMENT BOND

The undersigned bidder certifies that he is eligible for and agrees to provide Performance and Labor and Material Payment Bonds executed in accordance with AIA Document A312 written with

_____ (bonding company) in the amount of 100% of the Contract Sum (Base Bid and all accepted Alternate Bids) the cost of which is included in the bid.

REJECTION & WITHDRAWAL OF BID

In submitting this Bid, it is understood that the right is reserved by the Owner to reject any and all bids and to waive any informalities in bidding. It is agreed that this Bid may not be withdrawn for a period of sixty (60) days from the opening thereof.

Accompanying this is a _____
(Bid Bond, Certified Check, Bank Draft)

In the amount of _____
(Dollars)

(\$ _____) being five percent (5%) of the Base Contract Bid, the same being subject to forfeiture in the event of default by the undersigned.

In submitting this bid, it is understood that the right is reserved by the Owner to reject any and all bids and it is agreed that this bid may not be withdrawn during the period of days in the Contract Documents.

The Bidder hereby certifies:

- A. That this bid is genuine and is not made in the interest of or on behalf of any undisclosed person, firm or corporation and is not submitted in conformity with any agreement or rules of any group, association, organization or corporation.
- B. That he has not directly or indirectly induced or solicited any other bidder to put in a false or sham bid.
- C. That he has not solicited or induced any person, firm, or corporation to refrain from bidding.
- D. That he has not sought by collusion or otherwise to obtain for himself any advantage over any other bidder or over the "Owner."
- E. That he will comply with all provisions of the Prevailing Wage Ordinance #O-16-03 adopted by the Hoffman Estates Park District.
- F. That he is in compliance with the Criminal Code Act of 1961, Article 33E-11, Public Contracts, and Public Act 85-1295.

- G. That all materials, methods and workmanship shall conform to the drawings, specifications, manufacturer's standards and specifications, and all applicable Codes and Standards.

COMPANY _____

ADDRESS _____

PHONE _____

SIGNATURE _____

TITLE _____

EMAIL _____

HOFFMAN ESTATES PARK DISTRICT
1685 W. HIGGINS ROAD
HOFFMAN ESTATES, IL 60169

Staff

CERTIFICATION

I, _____ (Officer), having been first duly sworn on Oath, do
depose and state that I presently reside at _____ (Address), and
that I am the duly authorized principal, officer or agent of _____
(Name of Contractor) and do hereby certify to Hoffman Estates Park District, its
Commissioners, Officers and Employees that neither I nor _____
(Name of Contractor) are barred from bidding on the Contract for which this bid is
submitted, and as a result of violation of either Section 33E-3 (Bid-rigging") or
Section 33E-4 ("Bid-rotating") of Article 33E of the Criminal Code of 1961 of the
State of Illinois approved July 28,1961, as amended.

On behalf of Contractor

Subscribed and sworn to before me
this _____ day of _____, 20____

- Notary Public -

My Commission Expires:

SUBCONTRACTORS

The following list includes all Subcontractors who will perform work representing five percent (5%) or more of the total base bid. The Bidder represents that the Subcontractors are qualified to perform the work required.

Category	Subcontractor Name	Address
1.	_____	_____
2.	_____	_____
3.	_____	_____
4.	_____	_____
5.	_____	_____
6.	_____	_____
7.	_____	_____
8.	_____	_____
9.	_____	_____
10.	_____	_____
11.	_____	_____
12.	_____	_____
13.	_____	_____
14.	_____	_____
15.	_____	_____

REFERENCES
Work Completed within the past 24 months only

Hoffman Estates IL 60169

References for:

1. Company Name: _____
Address: _____
City-state: _____
Phone Number: _____
Contact Person: _____

2. Company Name: _____
Address: _____
City/State: _____
Phone Number: _____
Contact Person: _____

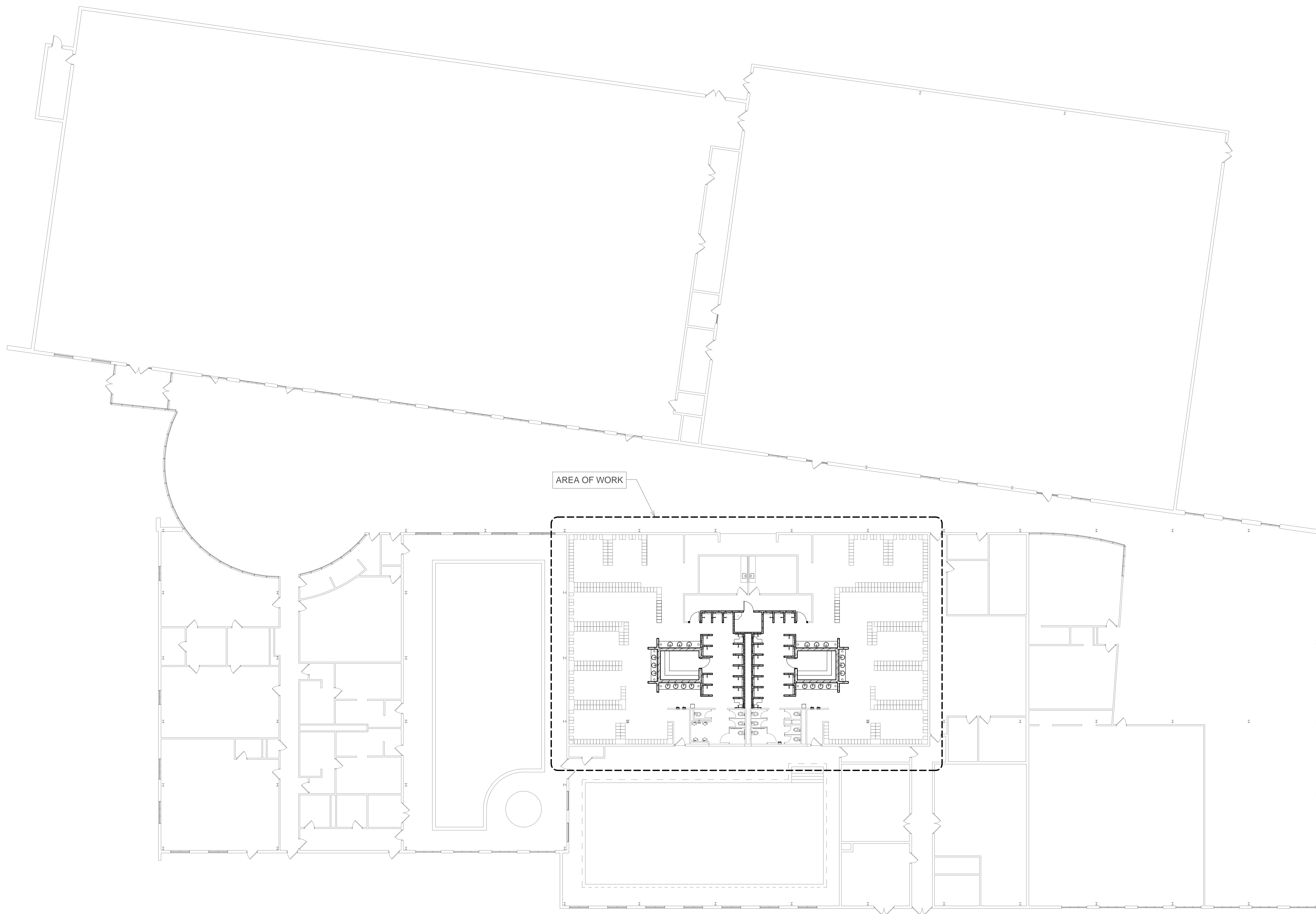
3. Company Name: _____
Address: _____
City/State: _____
Phone Number: _____
Contact Person: _____

4. Company Name: _____
Address: _____
City/State: _____
Phone Number: _____
Contact Person: _____

STATEMENT OF EXPERIENCE

The Bidder shall list all recent projects for which he provided services of a similar nature to the subject project.

<u>Project/Location</u>	<u>Contract Amount</u>	<u>Reference/Phone #</u>
1. _____	_____	_____
2. _____	_____	_____
3. _____	_____	_____
4. _____	_____	_____
5. _____	_____	_____



1 FIRST FLOOR MASTER PLAN
1/16" = 1'-0"

GENERAL NOTES

1. VERIFY ALL EXISTING CONDITIONS RELATED TO CONSTRUCTION COMPARED TO THE INFORMATION PROVIDED IN THE CONSTRUCTION DOCUMENTS. IF DISCREPANCIES OR CONFLICTS BETWEEN THE TWO ARE DISCOVERED, NOTIFY THE ARCHITECT FOR CLARIFICATION PRIOR TO SUBMITTING A BID AND/OR PERFORMING WORK.
2. COMPLY WITH ALL APPLICABLE STATE AND LOCAL CODES.
3. COORDINATE ALL TRADES PRIOR TO PERFORMING WORK INCLUDING BUT NOT LIMITED TO MECHANICAL, PLUMBING, ELECTRICAL, AND STRUCTURAL.
4. OTHER WORK MAY BE PERFORMED UNDER A SEPARATE CONTRACT. COORDINATE WITH ALL OTHER CONTRACTED TRADES SO AS TO NOT INTERFERE WITH THEIR WORK.
5. STORE MATERIALS IN A MANNER NOT TO OVERSTRESS, OVERLOAD, OR OTHERWISE PUT AN INAPPROPRIATE LOAD ON ANY STRUCTURE DURING CONSTRUCTION.
6. SCHEDULE AND COORDINATE ALL SHUT DOWNS OF EXISTING UTILITIES WITH THE OWNER PRIOR TO SHUT DOWN. PREPARE ALL NECESSARY WORK PRIOR TO SHUT DOWNS. AT ALL POSSIBLE, COMBINE UTILITY SHUT DOWNS TO MINIMIZE THE IMPACT OF THE OWNER'S OPERATION OF EXISTING FACILITIES. SEE SPECIFICATIONS FOR ANY FURTHER DETAILS.
7. LOCATE ALL MATERIALS, EQUIPMENT, TRUCKS, DUMPSTERS, AND CONSTRUCTION FACILITIES IN AREAS APPROVED BY OWNER. SPECIAL CARE SHALL BE TAKEN TO PREVENT DAMAGE TO EXISTING BUILDING STRUCTURE, LANDSCAPING, AND PAVED AREAS. PROVIDE WOOD PLANK PROTECTION BELOW ALL DUMPSTERS AND OTHER HEAVY EQUIPMENT. ALL DAMAGED ITEMS SHALL BE REPAIRED OR REPLACED AT NO EXPENSE TO THE OWNER.
8. PROTECT OR SAFELY STORE ALL BUILDING AND SITE ELEMENTS THAT ARE SCHEDULED TO REMAIN OR BE REUSED TO AVOID DAMAGE DURING THE CONSTRUCTION PROCESS. DAMAGED ITEMS SHALL BE REPAIRED OR REPLACED AT NO EXPENSE TO THE OWNER.
9. REPAIR ALL AREAS DAMAGED FROM THE CONSTRUCTION WORK. PATCH AND/OR PROVIDE NEW FINISHES AT ALL DAMAGED AREAS WITH MATERIALS AND FINISHES TO MATCH THE EXISTING CONDITIONS. NEW MATERIALS AND FINISHES SHALL BE BROUGHT TO A STOPPING POINT TO MINIMIZE DETECTION OF REPAIR. VERIFY LOCATIONS WITH ARCHITECT.
10. ALL WORK OUTLINED IN THE PROJECT SCOPE THAT EXTENDS INTO AREAS LABELED "NIC" SHALL BE INCLUDED IN THE CONTRACTOR'S SCOPE OF WORK TO INSURE A COMPLETE AND FULLY OPERATIONAL SYSTEM.
11. TAKE SPECIAL CARE NOT TO DAMAGE OR INTERRUPT THE EXISTING SERVICES INCLUDING, BUT NOT LIMITED TO, ELECTRICAL WIRING, PNEUMATIC CONTROL LINES, SOUND SYSTEM WIRING, FIRE ALARM WIRING, COMPUTER NETWORK CABLING, AND TEMPERATURE CONTROLS. THESE ITEMS AND THE LIKE ARE FULLY OPERATIONAL. VERIFY THE CONDITION AND OPERATION OF EACH SYSTEM BEFORE, DURING, AND AFTER CONSTRUCTION. SYSTEMS DAMAGED DURING CONSTRUCTION SHALL BE PLACED BACK INTO SERVICE PROMPTLY AND AT NO ADDITIONAL COST TO THE OWNER. REFER TO THE MEP DRAWINGS FOR FURTHER INFORMATION.
12. COORDINATE THE SIZE AND LOCATION OF ALL NEW DUCT OPENINGS AND PENETRATIONS IN WALLS AND FLOORS WITH MECHANICAL, PLUMBING, AND ELECTRICAL TRADES PRIOR TO PERFORMING WORK. PROVIDE ALL REQUIRED LINTELS FOR THESE OPENINGS ALONG WITH FIRE STOPPING AS REQUIRED BY THE FIRE RATING OF THE WALL.
13. DO NOT SCALE THE DRAWINGS TO DETERMINE A DIMENSION.
14. ALL PLAN DIMENSIONS ARE SHOWN AND INDICATED WITH A NOMINAL WIDTH.
15. INTERIOR DIMENSIONS ARE FROM FINISH TO FINISH UNLESS SPECIFICALLY NOTED OTHERWISE. EXTERIOR DIMENSIONS ARE TO OUTSIDE FACE OF STUD OR MASONRY UNLESS NOTED OTHERWISE.
16. DETAILS ARE TYPICAL AND ARE NOT TO BE CONSTRUCTED AS LIMITED TO THOSE AREAS SPECIFICALLY INDICATED. IF IN QUESTION, VERIFY APPLICATION WITH ARCHITECT PRIOR TO SUBMITTING A BID AND/OR PERFORMING WORK.
17. PROVIDE TEMPORARY PARTITIONS REQUIRED TO SEPARATE CONSTRUCTION AREAS FROM PUBLIC USE AREA. PROVIDE DUST PROOF PARTITIONS AS REQUIRED TO LIMIT DUST AND DIRT MITIGATION OUTSIDE OF CONSTRUCTION AREAS OR INTO ADJACENT PLENUM CEILING SPACES. PROVIDE FLOOR, WALL AND/OR CEILING PROTECTION THROUGHOUT EXISTING SPACES IMPACTED BY CONSTRUCTION ACTIVITIES. REFER TO MOLD REMEDIATION SCOPE OF WORK NOTES FOR ESTABLISHING NEGATIVE AIR PRESSURE WITHIN AREAS OF CONSTRUCTION.

SYMBOLS LEGEND

ROOM IDENTIFICATION TAG		N NORTH ARROW
ROOM NAME	ROOM NUMBER	
DOOR IDENTIFICATION TAG		DEMOLITION KEYNOTE
DOOR LOCATION	DOOR NUMBER	
ELEVATION TAG		FLOOR PLAN KEYNOTE
DRAWING NUMBER	SHEET NUMBER	
SECTION TAG		ELEVATION KEYNOTE
TYP	TAG NOTE	
DRAWING NUMBER	SHEET NUMBER	9'-0" CEILING HEIGHT TAG
NOTE: ARROW FILL REMOVED WHEN USING THE BUILDING SECTION TAG		
DETAIL TAG		WALL TYPE TAG
DRAWING NUMBER	TAG NOTE	
SHEET NUMBER		WALL FIRE RATING TAG
		REVISION CLOUD
		HANDICAP ACCESSIBLE

BUILDING CODES AND DATA

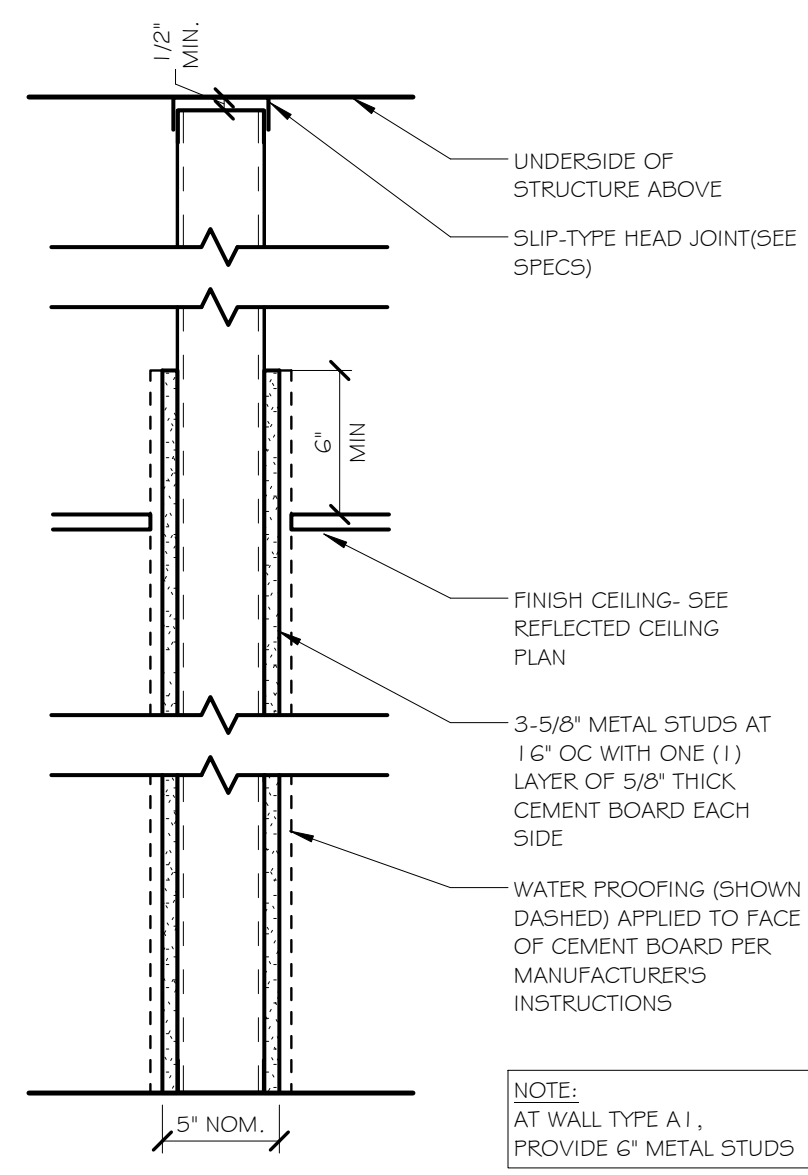
APPLICABLE BUILDING CODES:
 2009 INTERNATIONAL BUILDING CODE
 1997 ILLINOIS ACCESSIBILITY CODE
 2009 INTERNATIONAL MECHANICAL CODE
 2011 NATIONAL ELECTRICAL CODE
 2014 ILLINOIS STATE PLUMBING CODE
 2015 ILLINOIS ENERGY CONSERVATION CODE

BUILDING DATA:
 CONSTRUCTION TYPE: II B
 REMODELED AREA: 7,460 SF

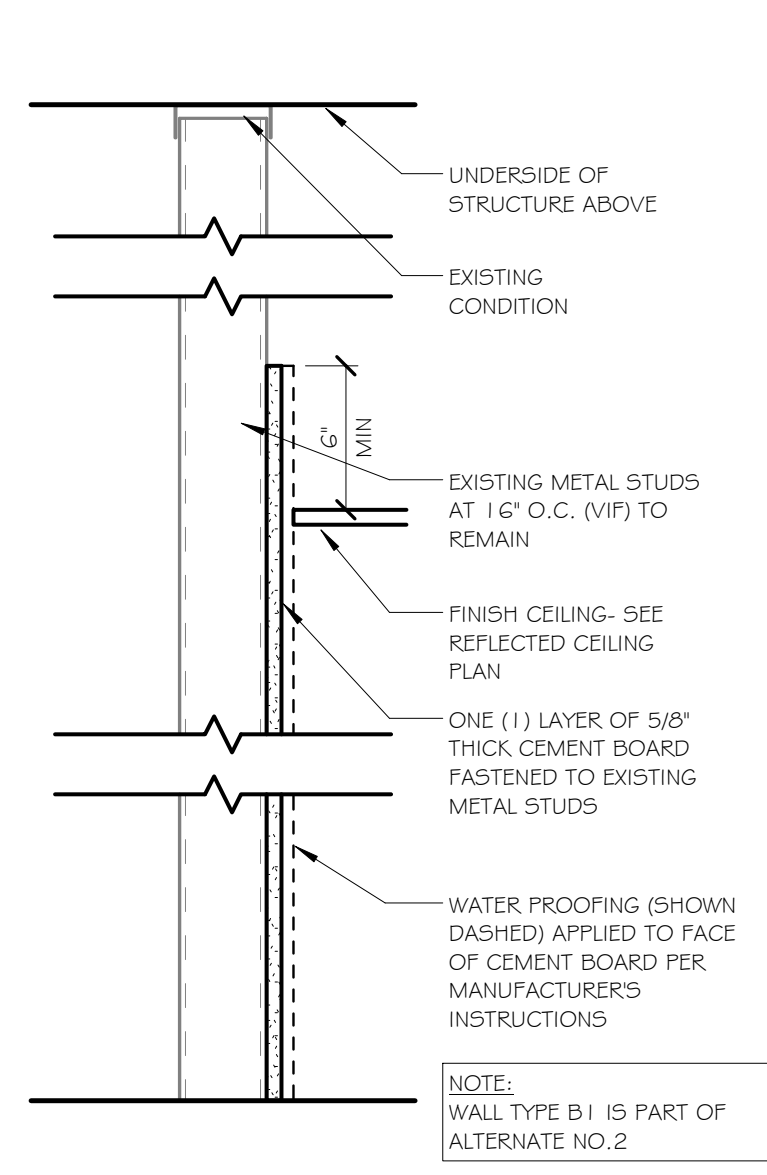
MARK	DATE
2	04-03-2017
2	04-16-2017

PROJECT NO.	2017.08
DATE	APRIL 3, 2017

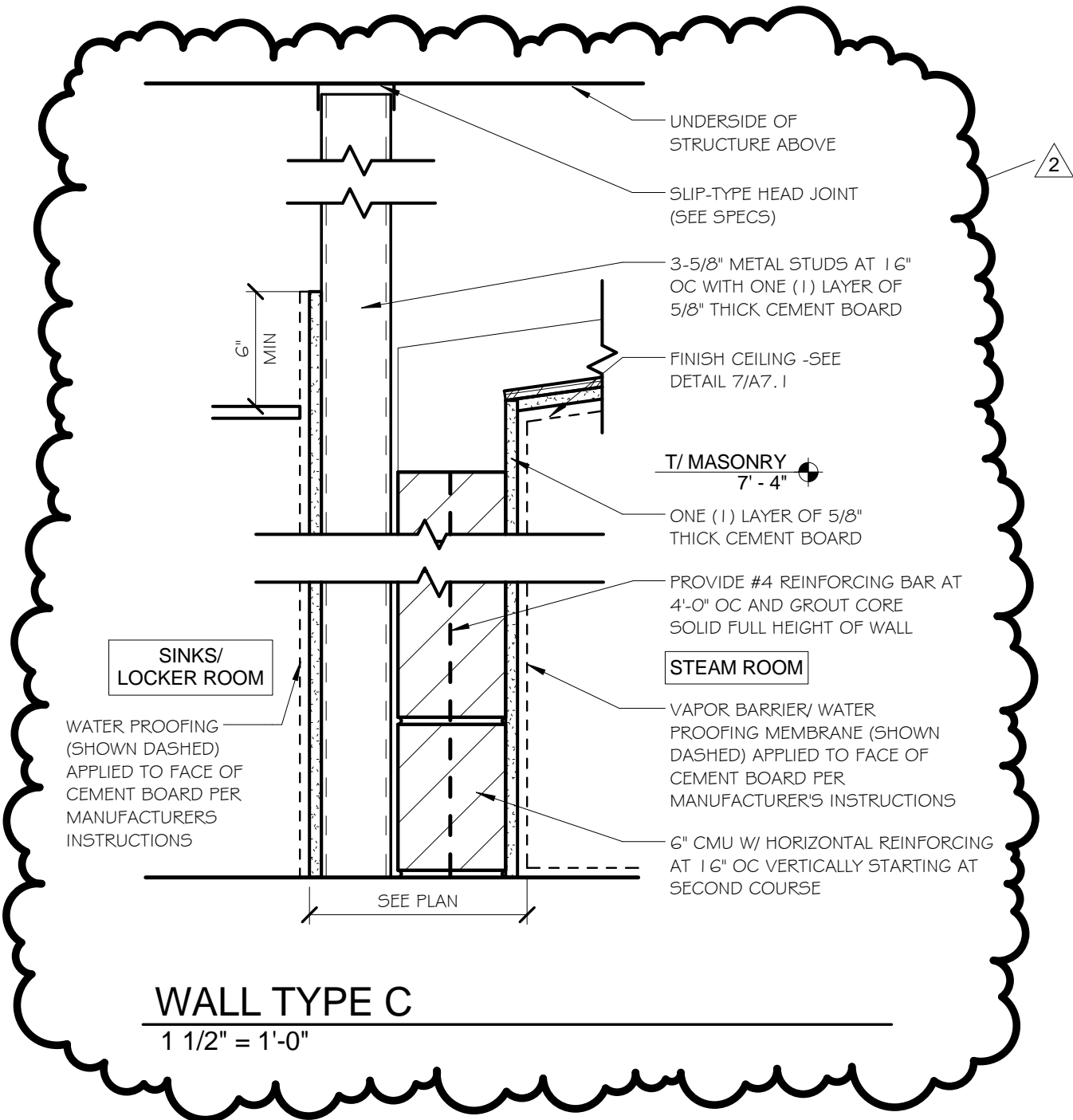
FIRST FLOOR
 MASTER PLAN
 GENERAL NOTES
 & SYMBOLS
 LEGEND



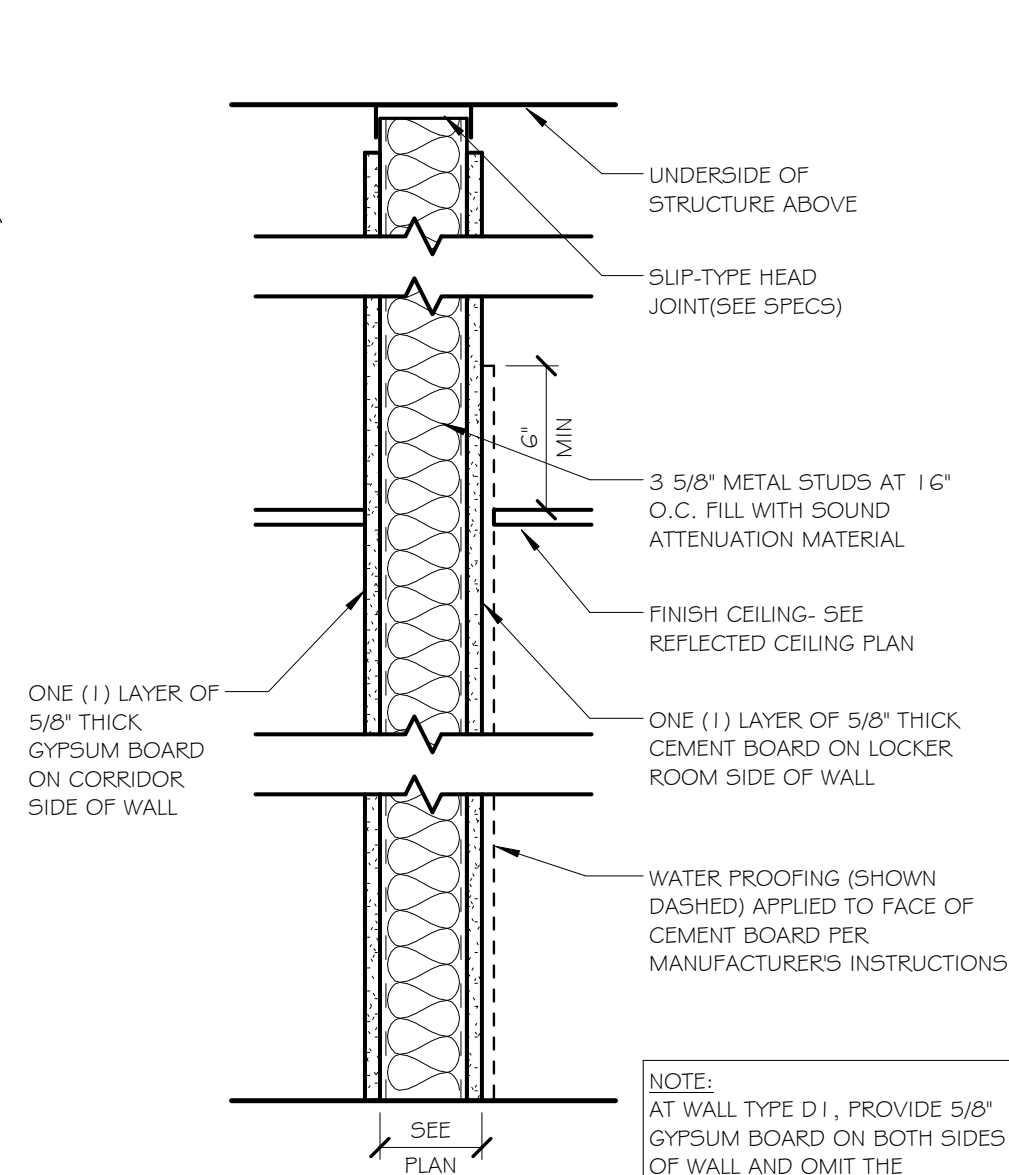
WALL TYPE A
1 1/2" = 1'-0"



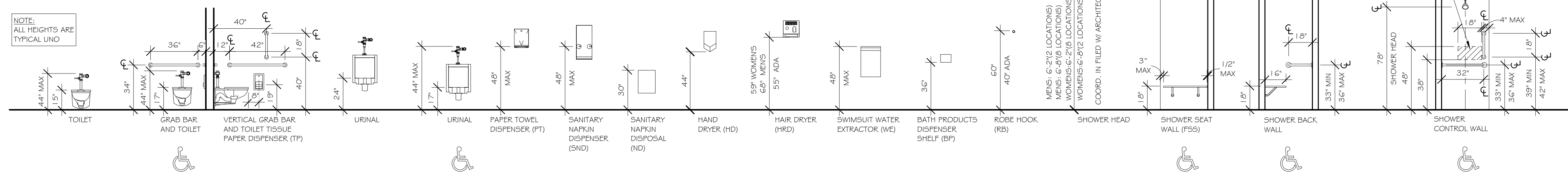
WALL TYPE B
1 1/2" = 1'-0"



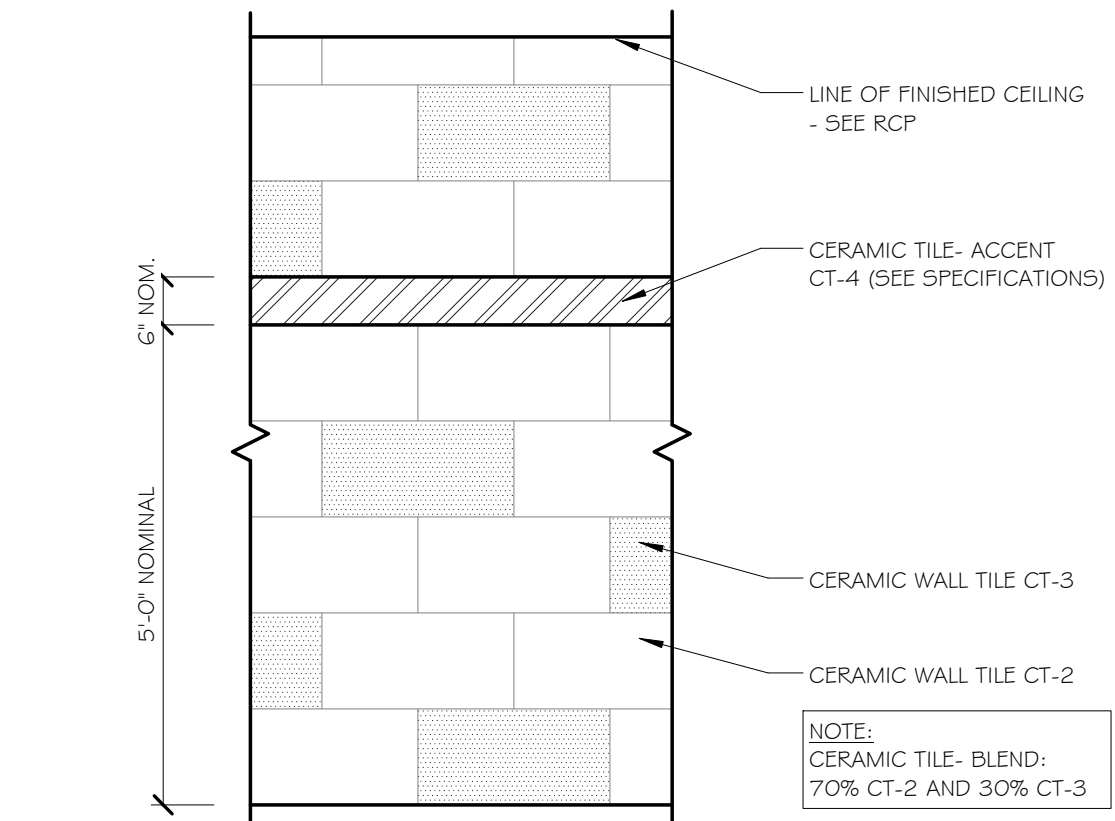
WALL TYPE C
1 1/2" = 1'-0"



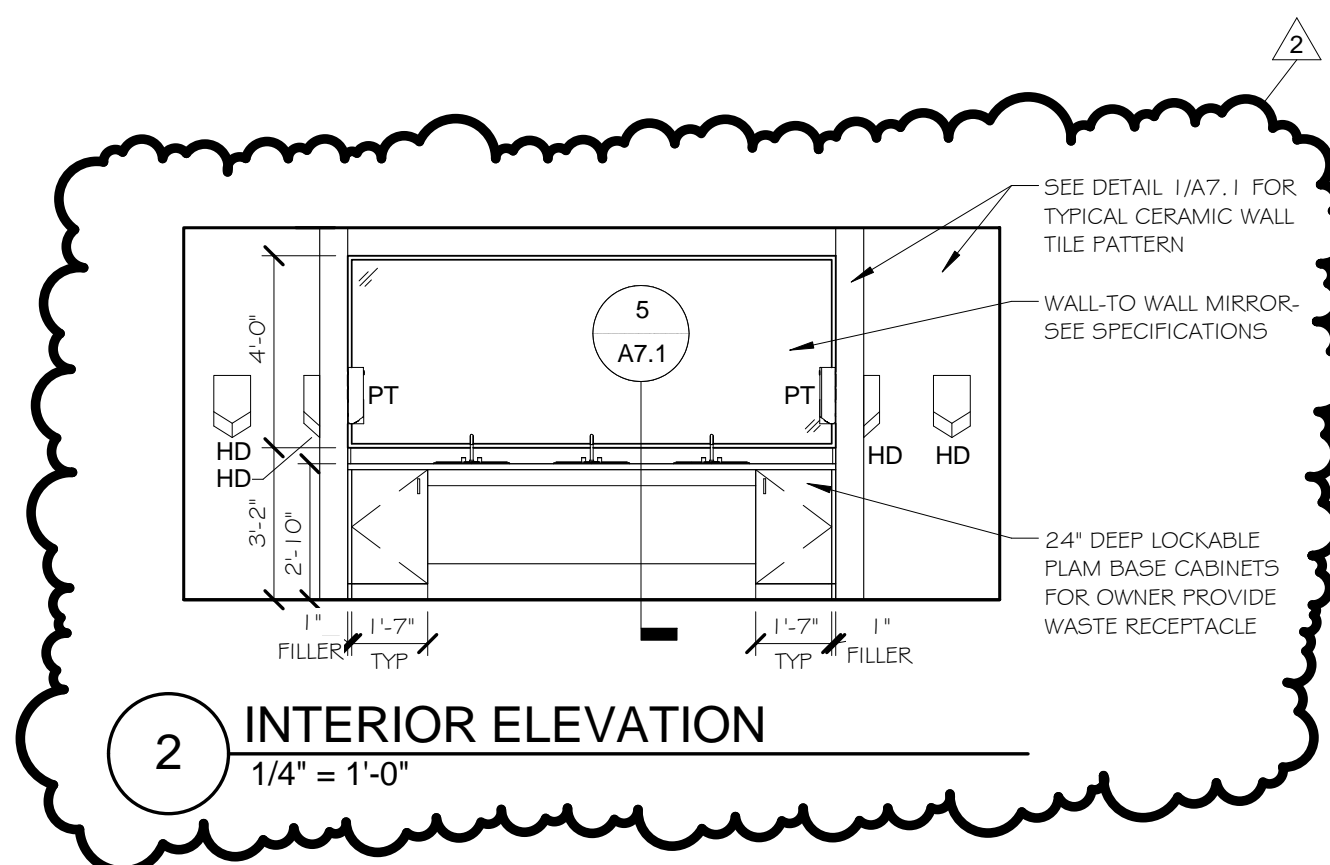
WALL TYPE D
1 1/2" = 1'-0"



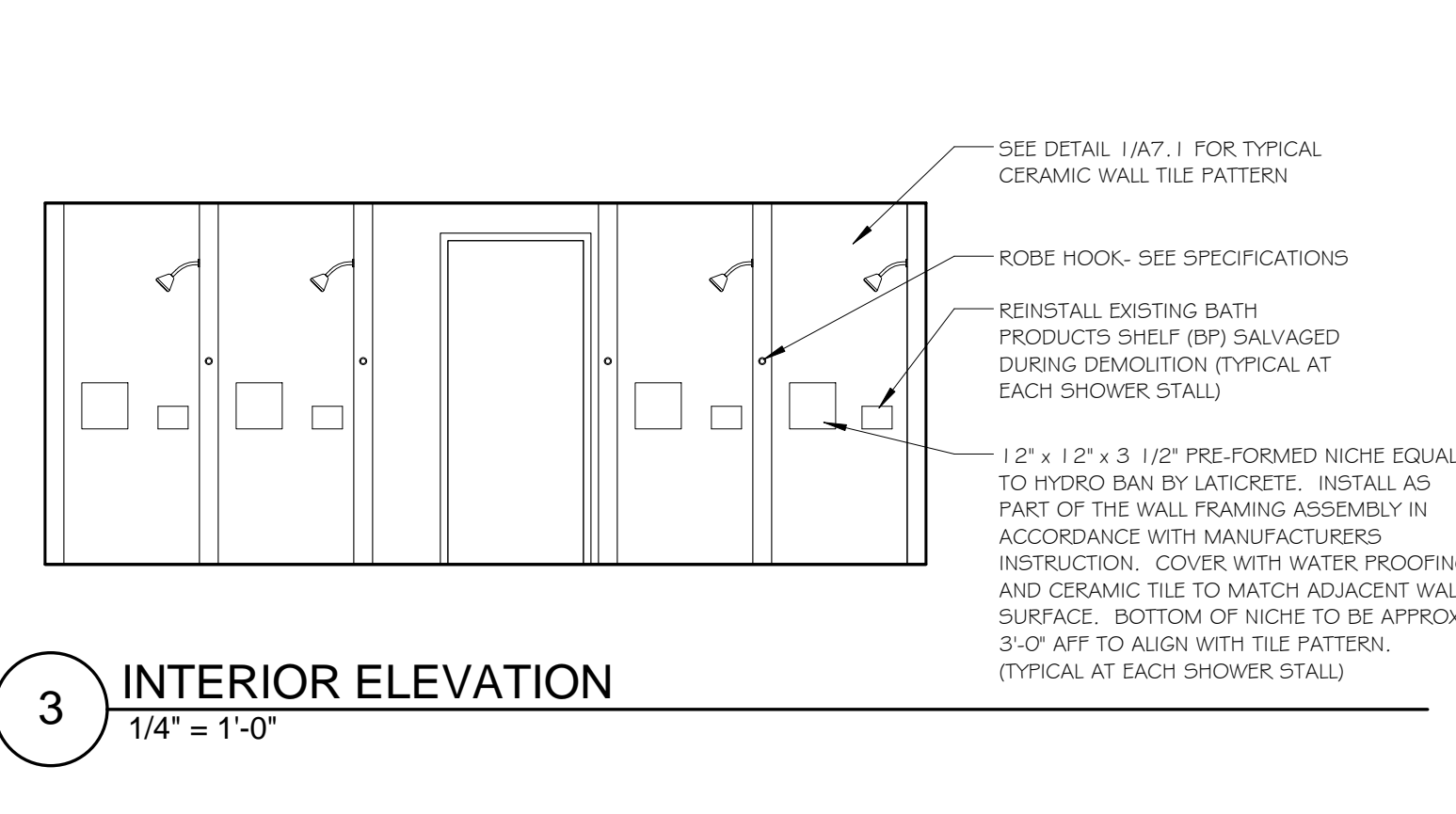
TYPICAL MOUNTING HEIGHTS
1/4" = 1'-0"



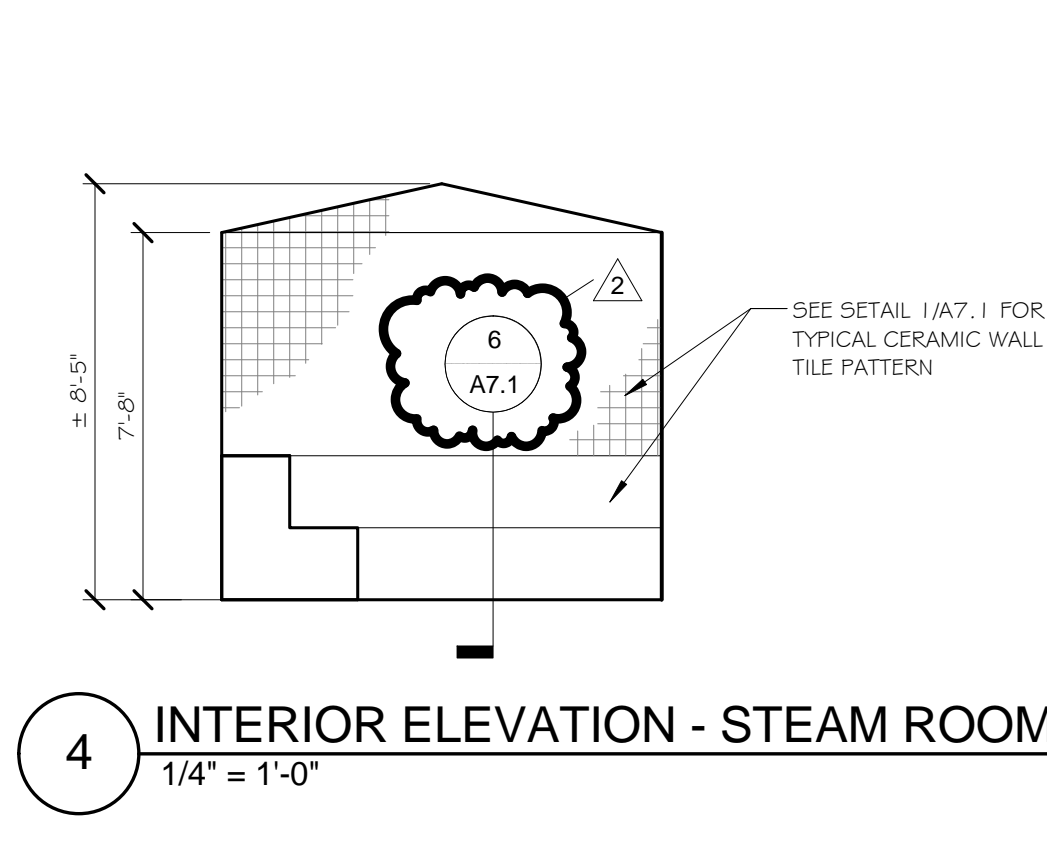
1 TYPICAL CERAMIC WALL TILE PATTERN
1/2" = 1'-0"



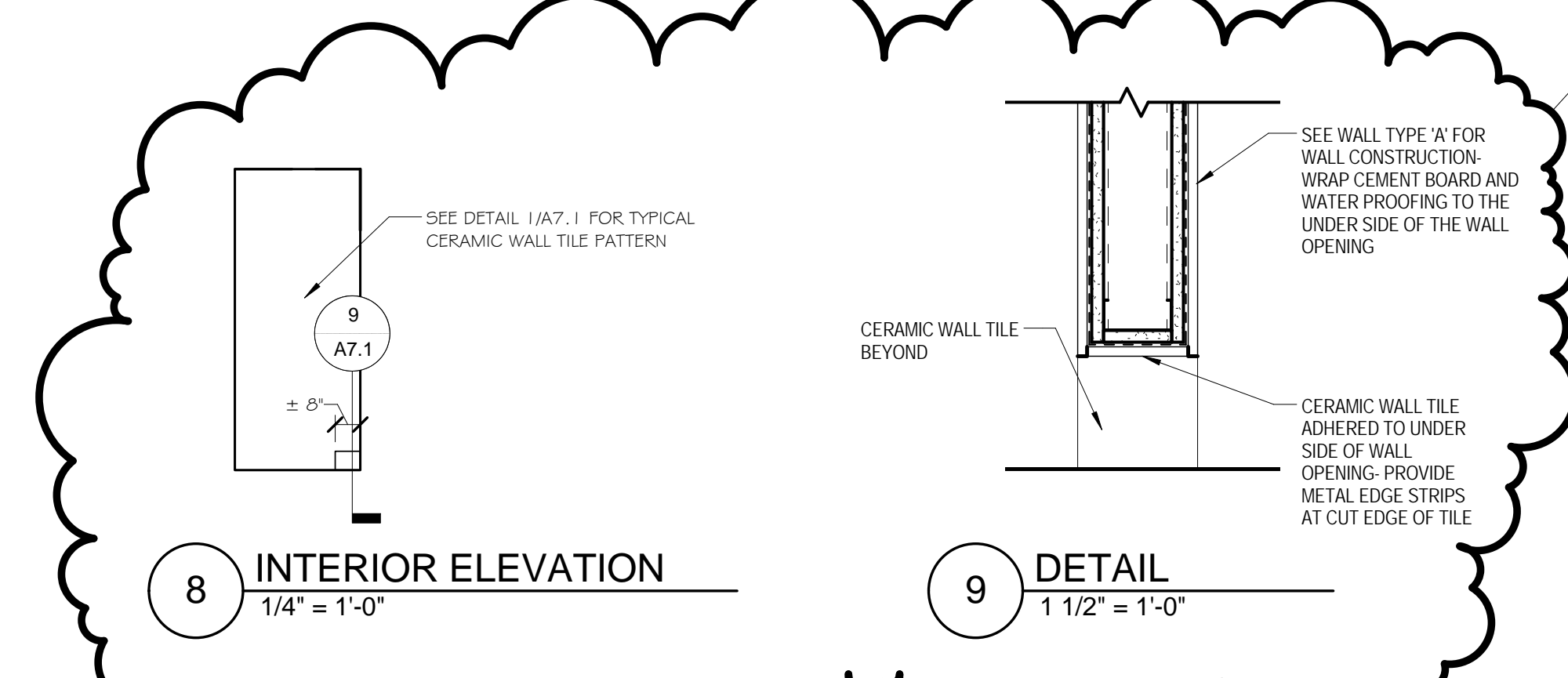
2 INTERIOR ELEVATION
1/4" = 1'-0"



3 INTERIOR ELEVATION
1/4" = 1'-0"

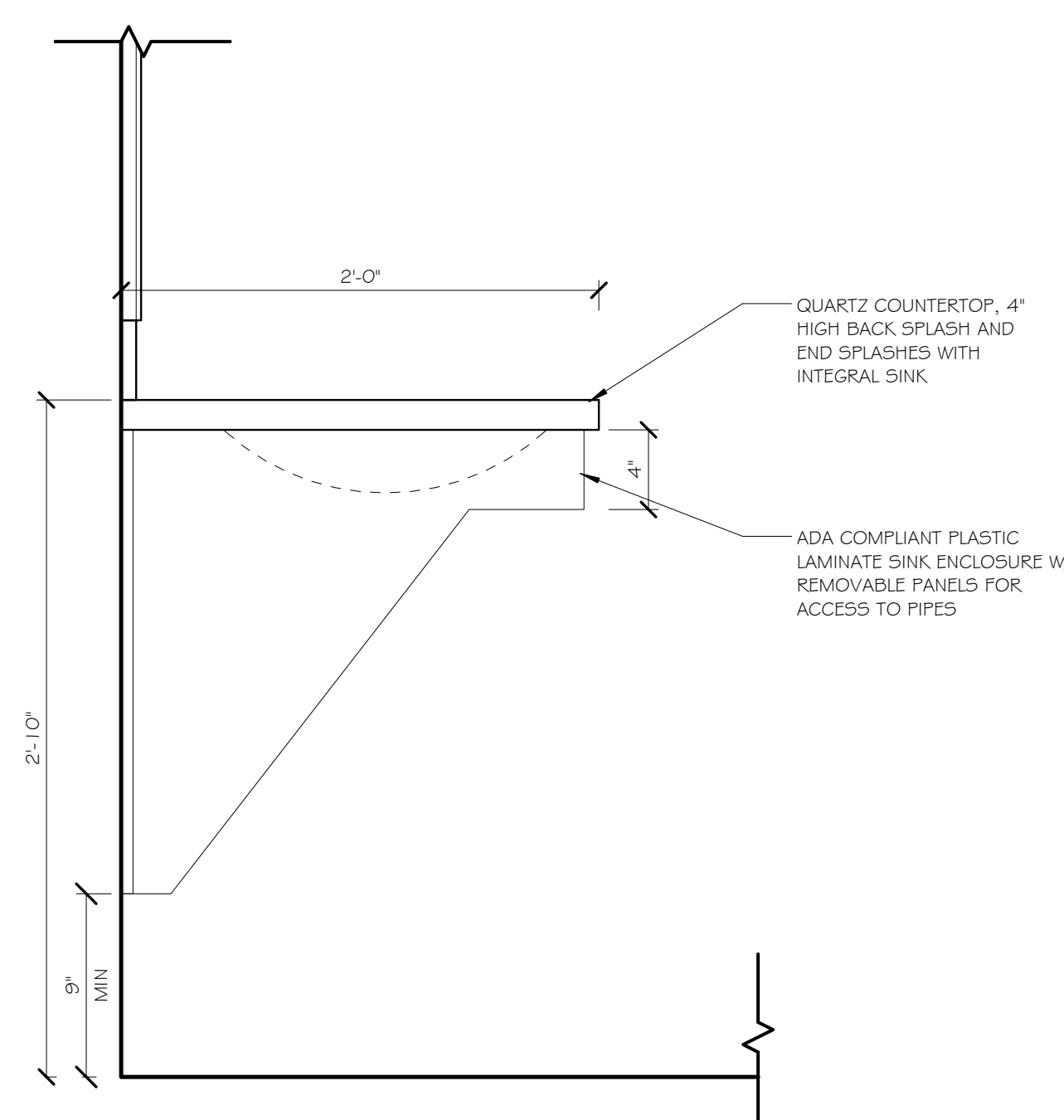


4 INTERIOR ELEVATION - STEAM ROOM
1/4" = 1'-0"

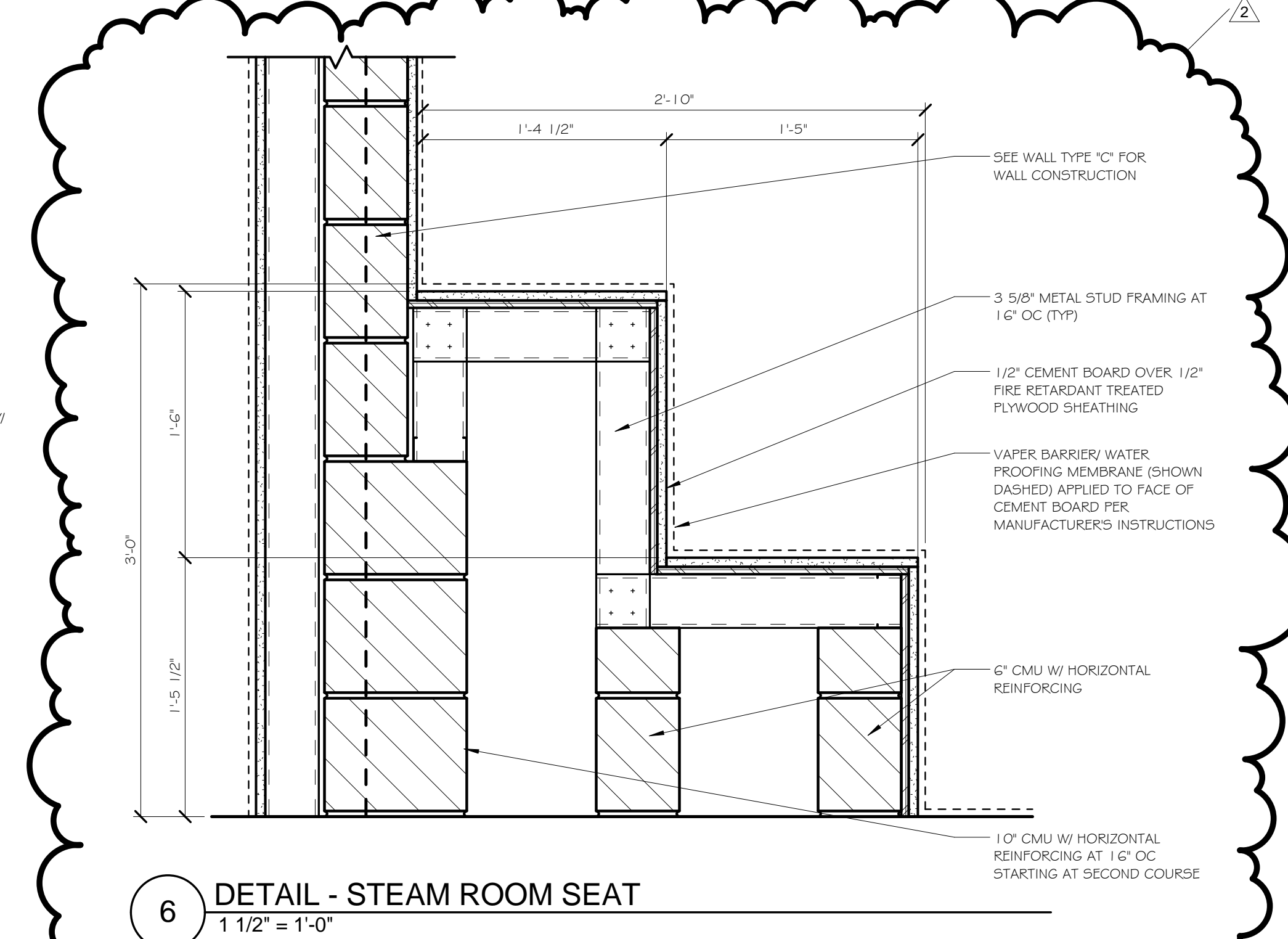


8 INTERIOR ELEVATION
1/4" = 1'-0"

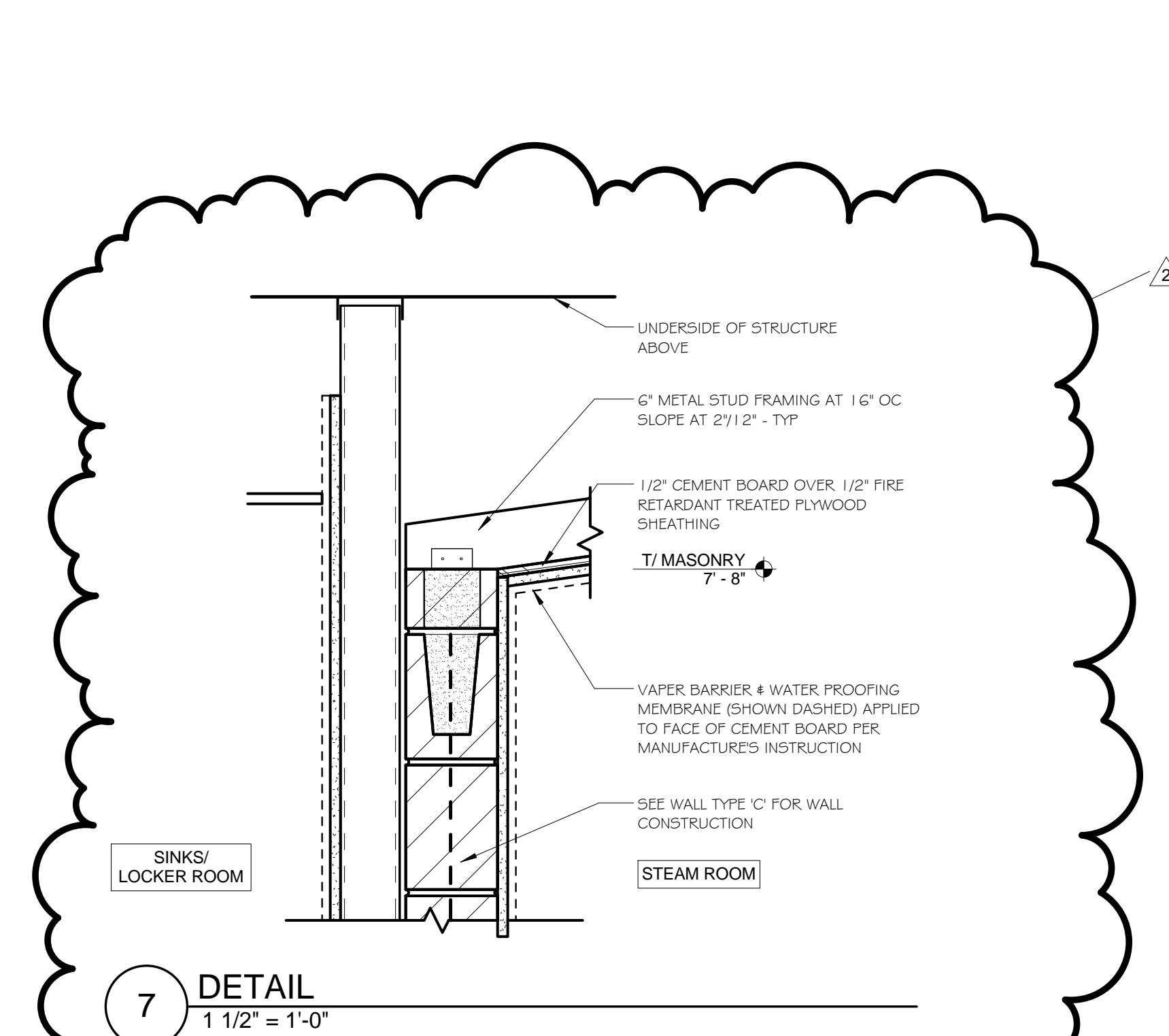
9 DETAIL
1 1/2" = 1'-0"



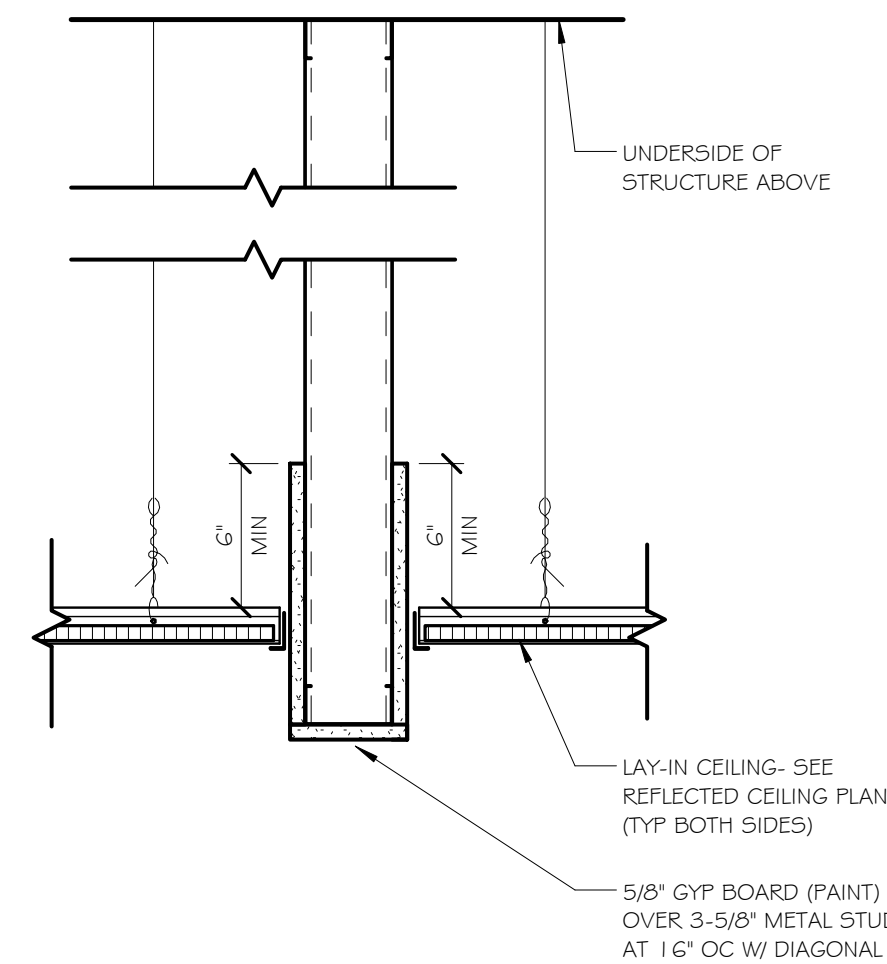
5 CASEWORK DETAIL
1 1/2" = 1'-0"



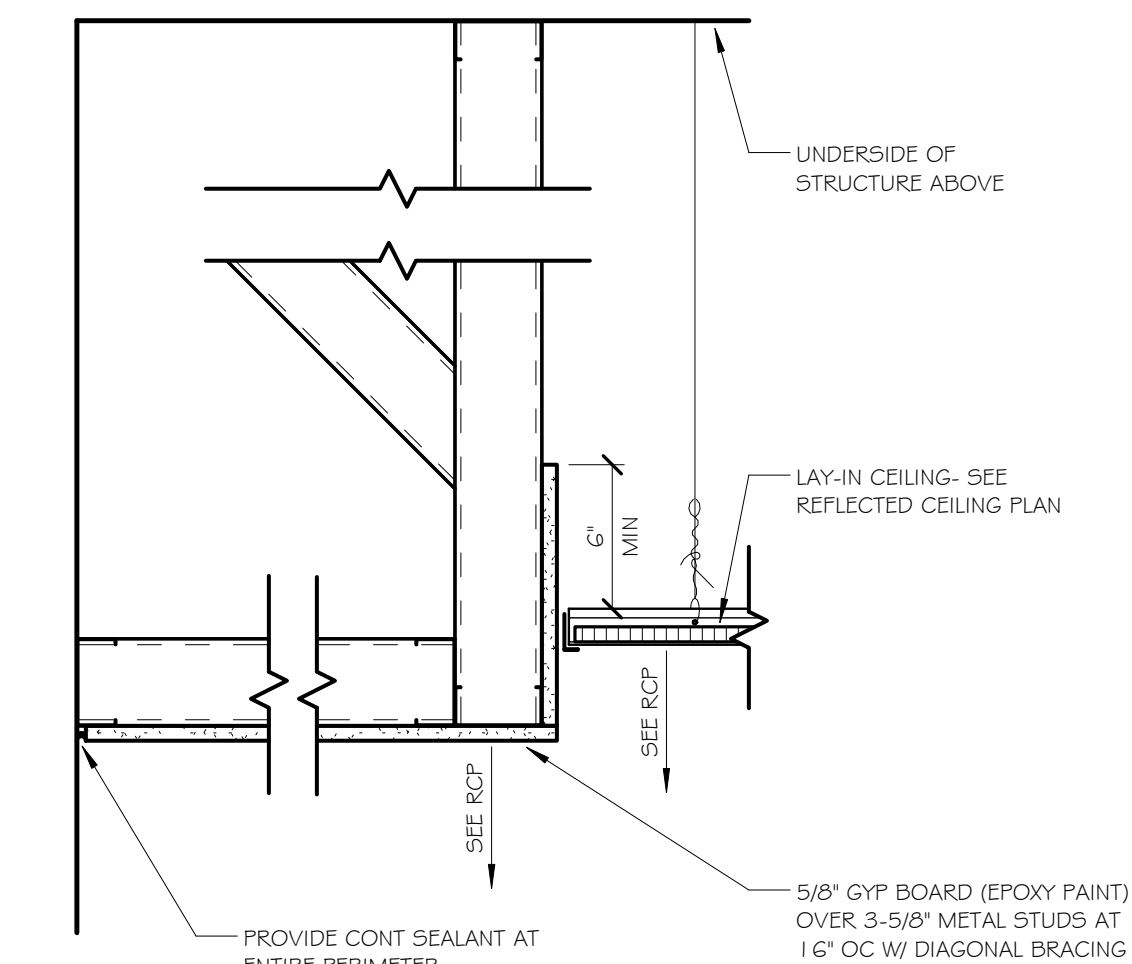
6 DETAIL - STEAM ROOM SEAT
1 1/2" = 1'-0"



7 DETAIL
1 1/2" = 1'-0"



2 DETAIL
1 1/2" = 1'-0"



3 DETAIL
1 1/2" = 1'-0"

REFLECTED CEILING PLAN GENERAL NOTES

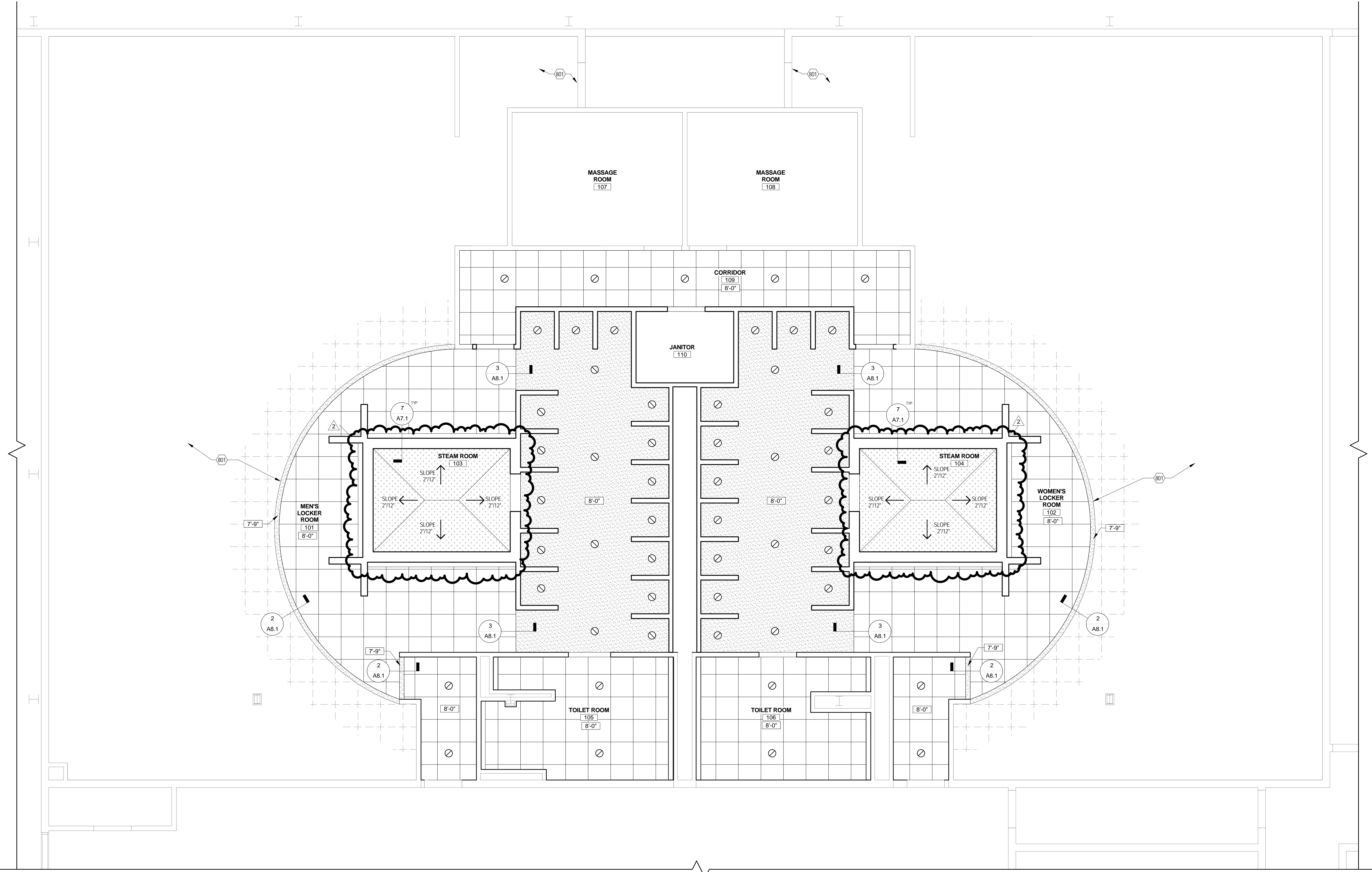
- SEE SHEET GO-1 FOR GENERAL NOTES AND SYMBOLS.
- SEE MECHANICAL DRAWINGS FOR COORDINATION OF DIFFUSER AND RETURN GRILLES.
- SEE ELECTRICAL DRAWINGS FOR COORDINATION OF ELECTRICAL FIXTURES.
- SEE ROOM FINISH PLANS FOR CEILING TYPES.
- PROVIDE CONTROL JOINTS 20'-0" TO 25'-0" OC IN ALL GYP BD CEILINGS AND SOFFITS. COORDINATE LOCATIONS WITH ARCHITECT IN FIELD. UNO.
- LOCATE ALL SPRINKLER HEADS IN THE CENTER OF CEILING TILES.
- PATCH/REPAIR EXISTING CEILING SYSTEM AS REQUIRED TO ACCOMMODATE NEW CONSTRUCTION WHETHER OR NOT INDICATED ON PLANS.
- ALL SUSPENDED CEILING SYSTEMS SHALL BE SUPPORTED FROM STRUCTURE ABOVE. CONNECTION TO THE ROOF DECK IS NOT PERMITTED.

REFLECTED CEILING PLAN LEGEND

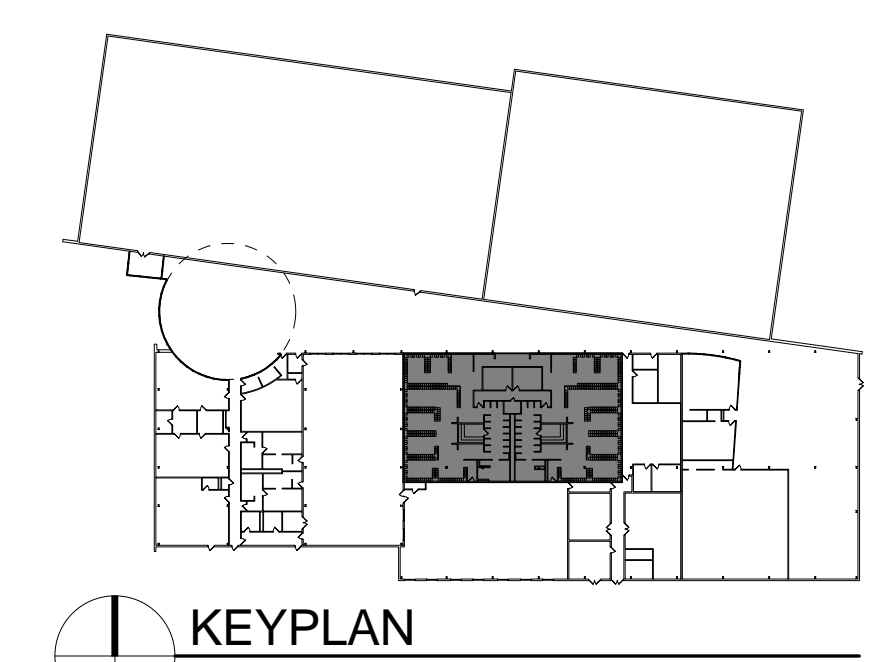
- 2x2' ACOUSTICAL LAY-IN TILE AND SUSPENDED GRID
- 5/8" REINFORCED GYP BD ON SUSPENSION SYSTEM- PAINT WITH EPOXY PAINT
- PATCH EXISTING SUSPENDED GRID CEILING SYSTEM AFFECTED BY CONSTRUCTION. INFILL NEW SECTIONS OF GRID AS REQUIRED TO MATCH EXISTING. INFILL CEILING TILES WITH THOSE SALVAGED DURING DEMOLITION. REPLACE ANY MISSING OR DAMAGED TILES WITH NEW TO MATCH EXISTING.
- CERAMIC TILE: CT-3
- 9'-0" CEILING HEIGHT IDENTIFICATION TAG
- RECESSED LIGHT FIXTURE - SEE ELECTRICAL DRAWINGS
- RECESSED DOWNLIGHT - SEE ELECTRICAL DRAWINGS
- HVAC SUPPLY DIFFUSER - SEE MECHANICAL DRAWINGS
- HVAC RETURN GRILL - SEE MECHANICAL DRAWINGS

REFLECTED CEILING PLAN KEYNOTES

- (80) PROVIDE NEW CEILING TILES IN EXISTING SUSPENDED GRID.



1 FIRST FLOOR REFLECTED CEILING
1/4" = 1'-0"



KEYPLAN

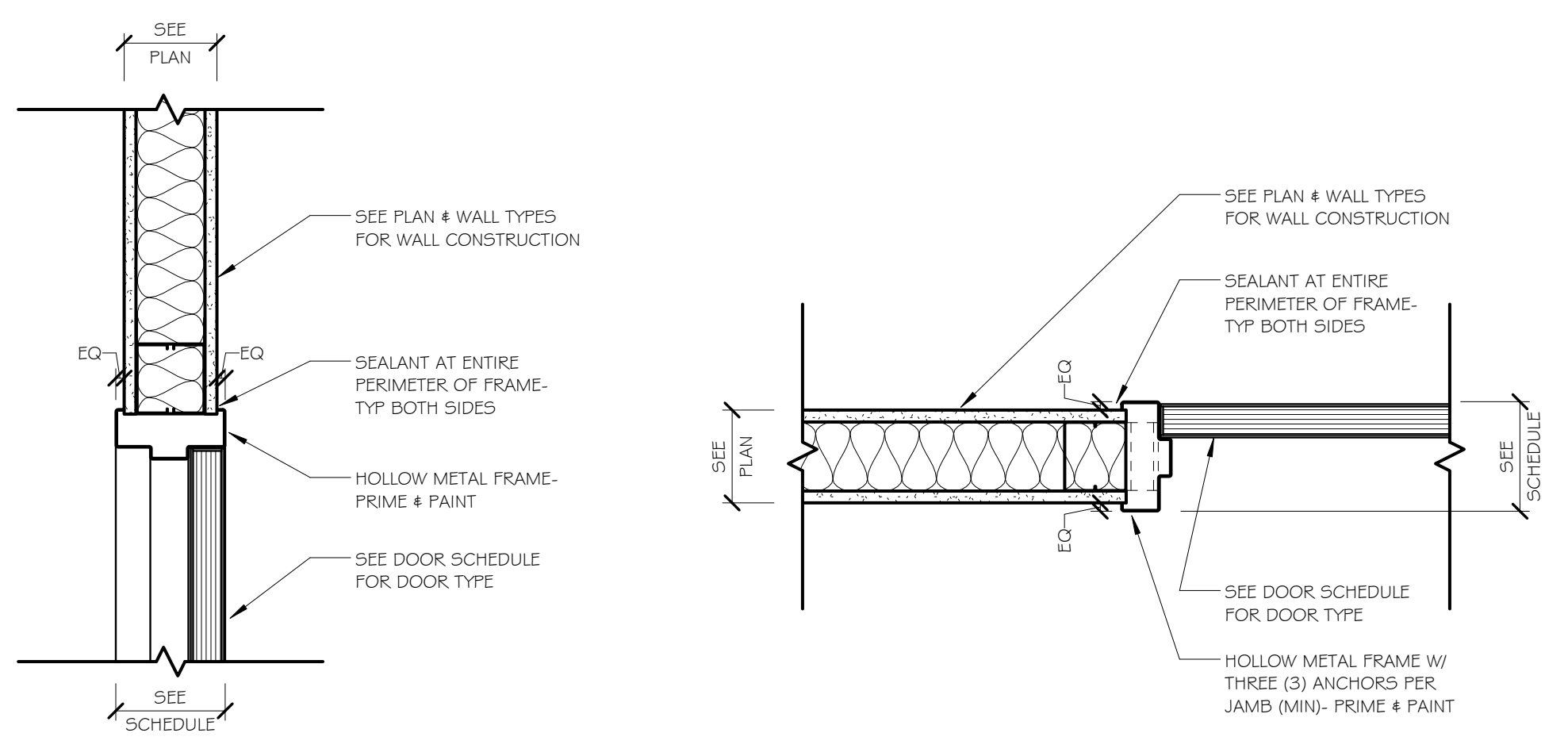
DOOR & FRAME REMARKS	
REMARKS	REMARK DESCRIPTION
1	EXISTING WOOD DOOR TO BE INSTALLED INTO NEW FRAME.

DOOR & FRAME SCHEDULE														
DOOR NO.	FIRE RATING (HR)	DOOR				FRAME				DETAILS				REMARKS
		TYPE	MTRL	WIDTH	HEIGHT	TYPE	MTRL	WIDTH	HEIGHT	DEPTH	HEAD	JAMB	SILL	
101A	-	B	ALUM	3'-0"	7'-2"	F1	ALUM	3'-4"	7'-2"	4 1/2"	4/8"1	5/8"1	-	-
101B	-	EXIST	-	-	-	F1	HM	3'-4"	7'-2"	5 3/4"	2/8"1	3/8"1	-	-
102A	-	B	ALUM	3'-0"	7'-2"	F1	ALUM	3'-4"	7'-2"	4 1/2"	4/8"1	5/8"1	-	-
102B	-	EXIST	-	-	-	F1	HM	3'-4"	7'-2"	5 3/4"	2/8"1	3/8"1	-	-
110A	-	A	WD	3'-0"	7'-0"	F1	HM	3'-4"	7'-2"	5 3/4"	2/8"1	3/8"1	-	-

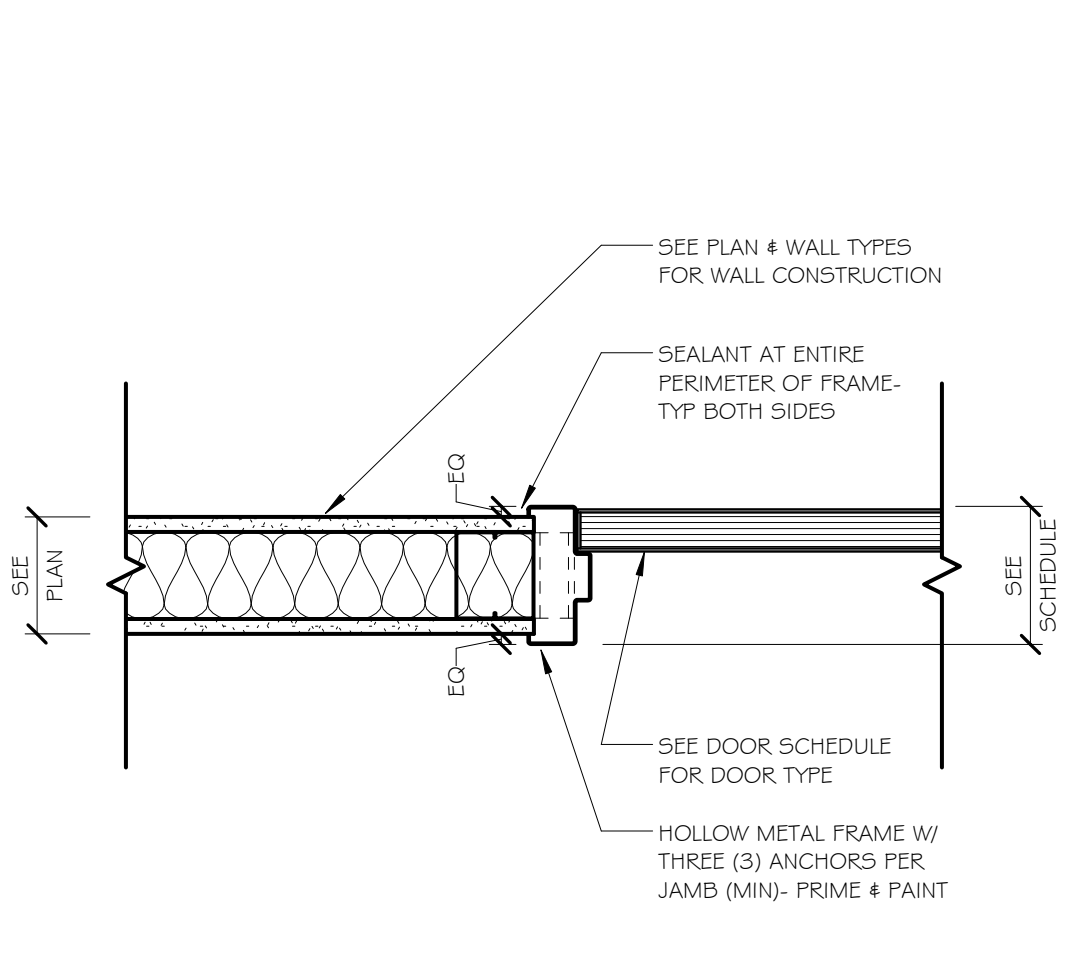
- ### FINISH PLAN GENERAL NOTES
- SEE SHEET 001 FOR GENERAL NOTES AND SYMBOLS.
 - SEE FLOOR PLANS FOR WALL CONSTRUCTION TYPES.
 - WHERE ANY DISCREPANCIES BETWEEN THE FINISH PLANS, ELEVATIONS AND SPECIFICATIONS OCCUR, ARCHITECT WILL DETERMINE FINISH.
 - FOR ALL AREAS TO RECEIVE NEW CARPET, INCLUDE 1/8" SKIM COAT AS REQUIRED FOR MATERIAL INSTALLATION.
 - PROVIDE VINYL TRANSITION STRIPS AT ALL LOCATIONS WHERE TRANSITIONS BETWEEN DISSIMILAR FLOORING FINISHES OR HEIGHTS OCCUR. SEE SPECIFICATIONS.
 - PROVIDE VINYL WALL BASE AT ALL BASE CABINETS.
 - REFER TO FINISH PLANS, INTERIOR ELEVATIONS, REFLECTED CEILING PLANS, AND DETAILS FOR PAINT COLOR LOCATIONS.
 - ALL NEW HOLLOW METAL DOORS AND FRAMES SHALL BE PAINTED PT-3.
 - ALL NEW GYPSUM BOARDED CEILINGS AND SOFFITS TO BE PAINTED PT-3 UNLESS NOTED OTHERWISE.
 - FOR AREAS TO RECEIVE NEW CERAMIC FLOOR TILE, PROVIDE WATER PROOFING PER SPECIFICATIONS.

- ### FINISH PLAN LEGEND
- CPT-1: CARPET TILE
 - CT-1: CERAMIC TILE
 - EXISTING TO REMAIN

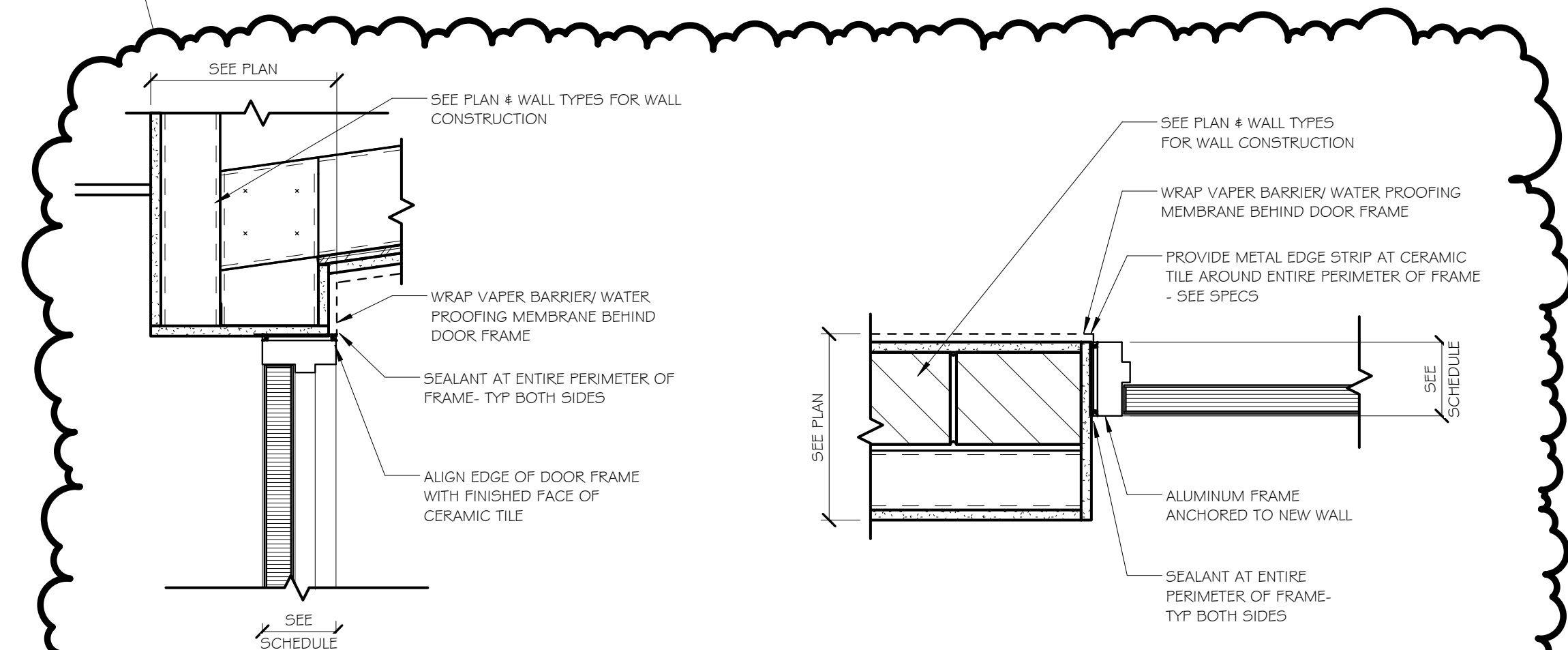
- ### FINISH PLAN KEYNOTES
- 901 PAINT GYPSUM WALLS PT-4.
 - 902 PAINT EXISTING HOLLOW METAL FRAME PT-2.
 - 903 PROVIDE NEW LEVEL 5 SKIM COAT FINISH AND PAINT PT-1.
 - 904 PROVIDE BRUSHED ALUMINUM METAL EDGE AT EXISTING OUTSIDE CORNER OF GYPSUM BOARD WALL.
 - 905 SEE PLUMBING DRAWINGS FOR DRAIN COVER.
 - 906 PAINT GYPSUM BOARD WALL PT-1.
 - 907 PAINT GYPSUM BOARD WALLS (PT-5).
 - 908 ALTERNATE NO. 1: NEW CERAMIC FLOOR TILE.



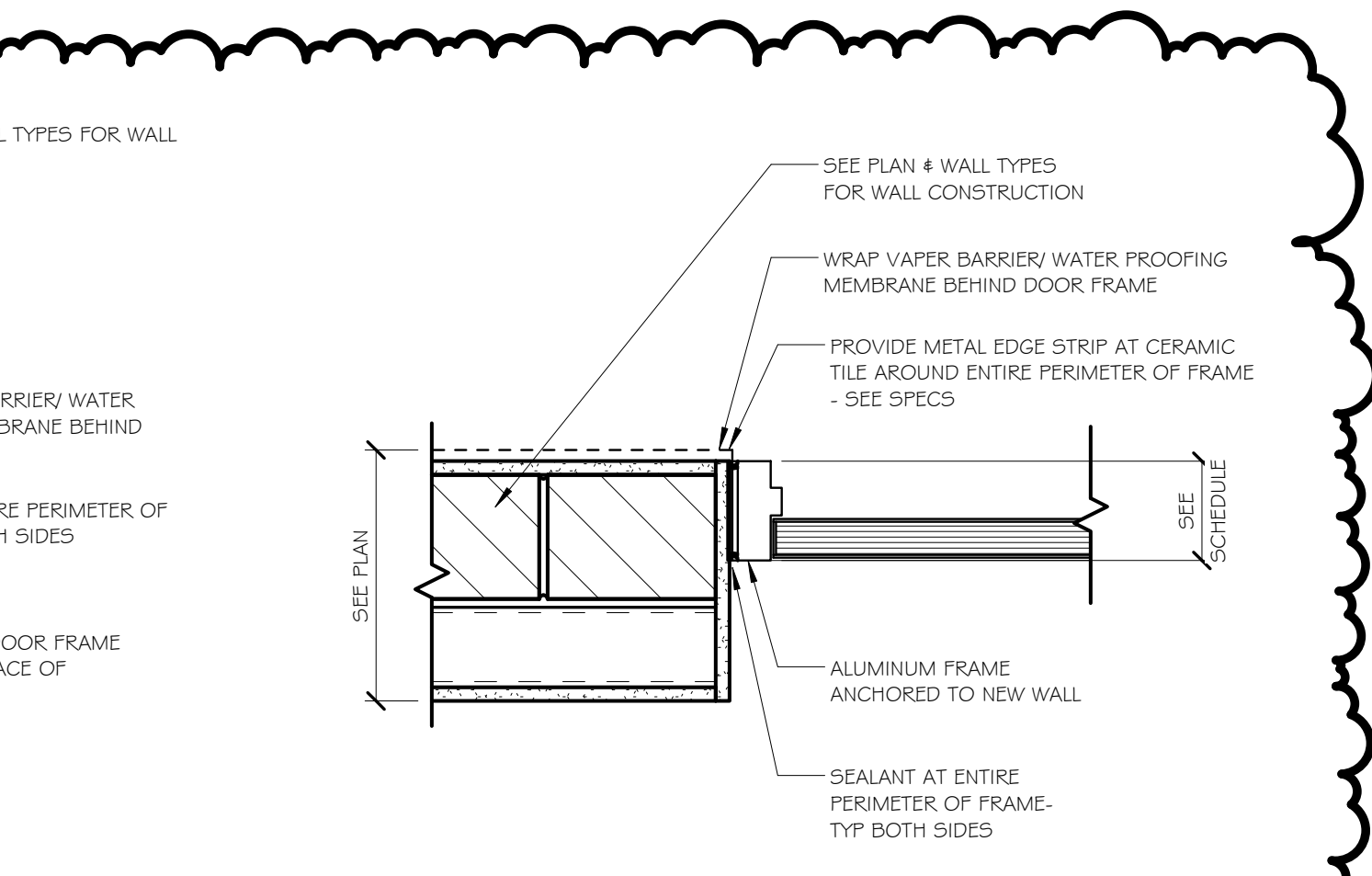
2 HEAD DETAIL- METAL STUD
1 1/2" = 1'-0"



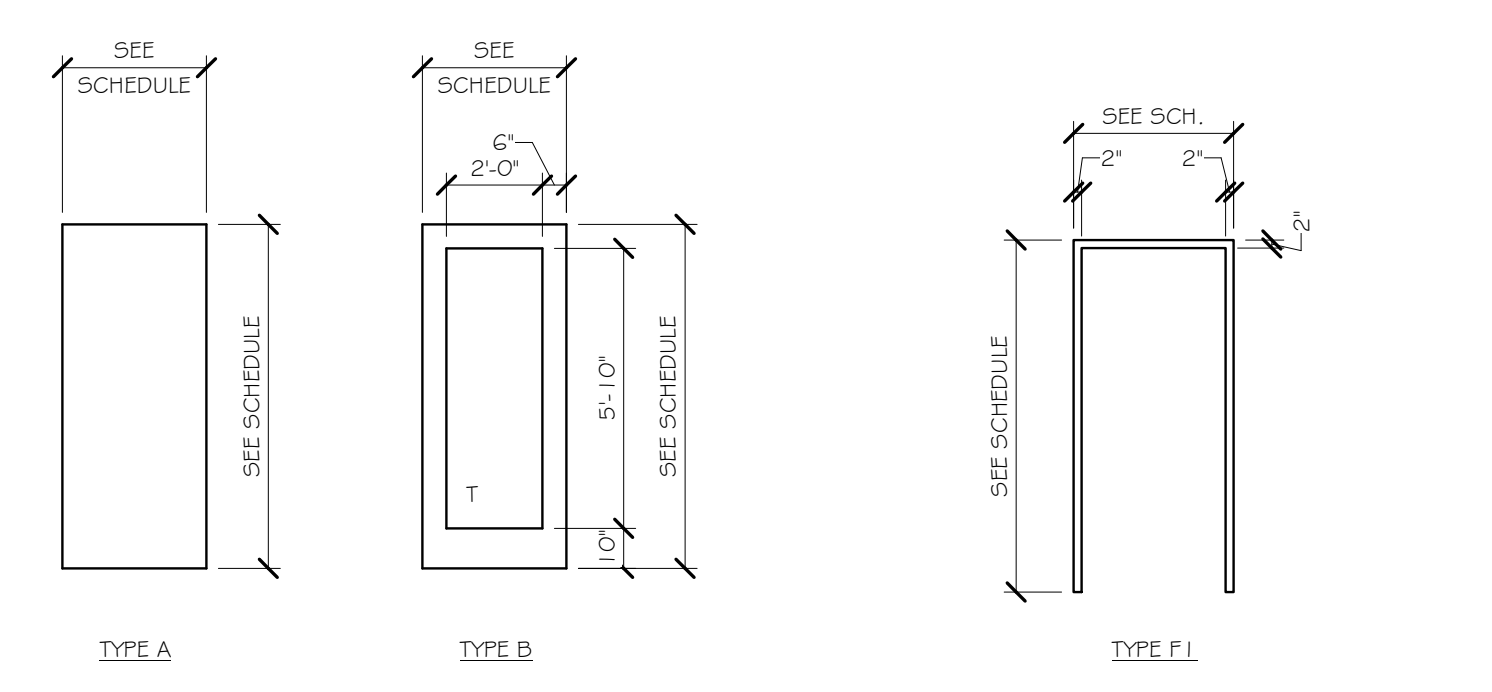
3 JAMB DETAIL- METAL STUD
1 1/2" = 1'-0"



4 HEAD DETAIL- ALUMN
1 1/2" = 1'-0"

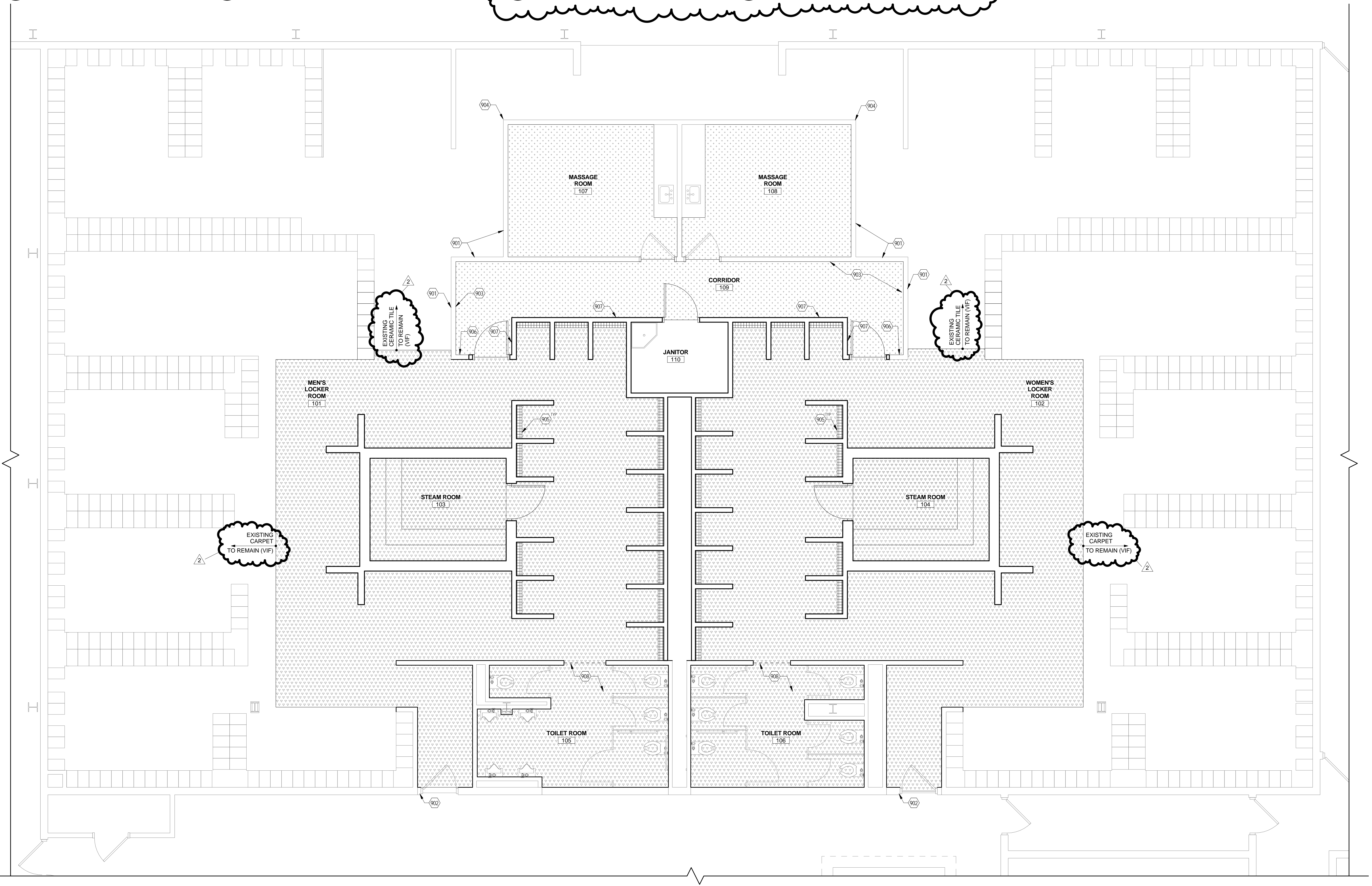


5 JAMB DETAIL- ALUMN
1 1/2" = 1'-0"



DOOR TYPES
1/4" = 1'-0"

FRAME TYPES
1/4" = 1'-0"



1 FIRST FLOOR FINISH PLAN
1/4" = 1'-0"

